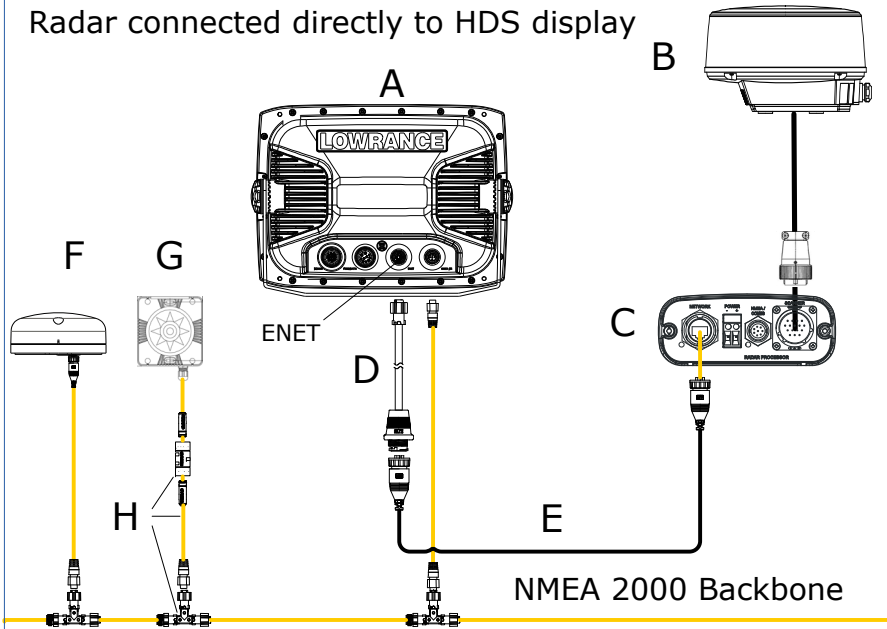


HDS

LRA 1800 & LRA2400 Radar Installation Guide

- A = Lowrance HDS display
- B = LRA1800 or LRA2400 scanner
- C = Radar processor
- D = Adapter cable 000-0127-56 to RJ45
- E = Ethernet cable RJ45 **
- F = GPS antenna
- G = Heading Sensor for chart overlay
- H = SimNet adapter kit
- I = NEP-1
- J = Ethernet cable (Lowrance)
- K = 12 Pin utility cable (AA010070)

Radar connected directly to HDS display



LA000610A-G

LOWRANCE®

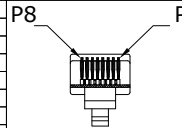
Seize the Day

** Available RJ45 Ethernet cables lengths

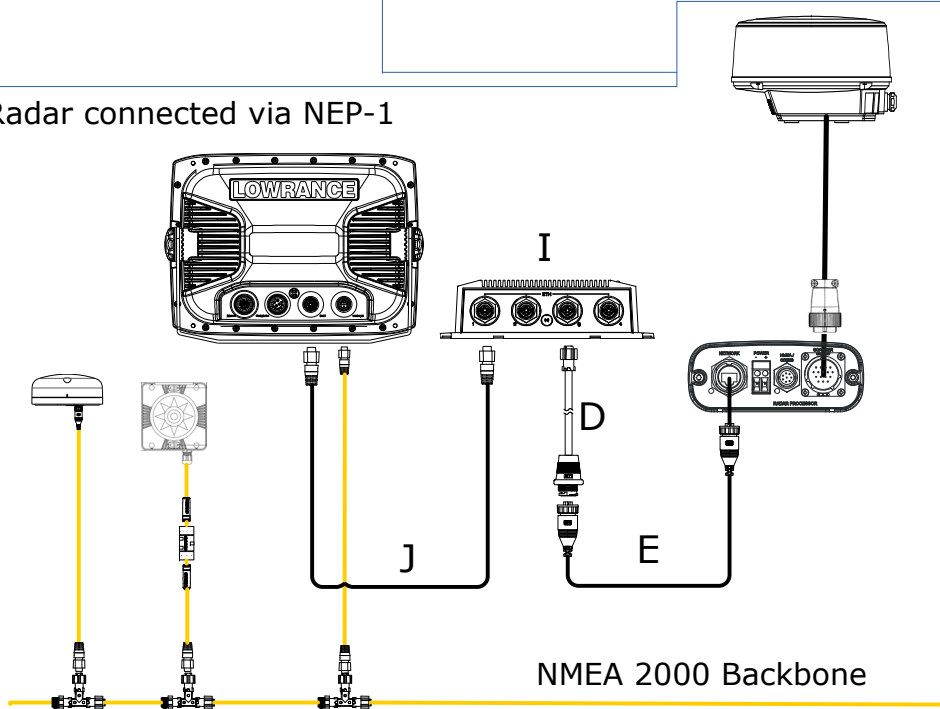
AA010079	0.5 meter (1.6') Ethernet cable
AA010080	2 meter (6.6') Ethernet cable
AA010081	5 meter (16.5') Ethernet cable
AA010082	10 meter (33') Ethernet cable
AA010085	Ethernet RJ45 Field Termination Kit

Ethernet cable pinout

PIN	Wire Color	Func.
1	Green / White	TX+
2	Green	TX-
3	Orange / White	RX+
4	Blue	N/C
5	Blue / White	N/C
6	Orange	RX-
7	Brown / White	N/C
8	Brown	N/C



Radar connected via NEP-1



Power connection using optional
"Accessory Wake Up" to turn on
radar when HDS is on.

